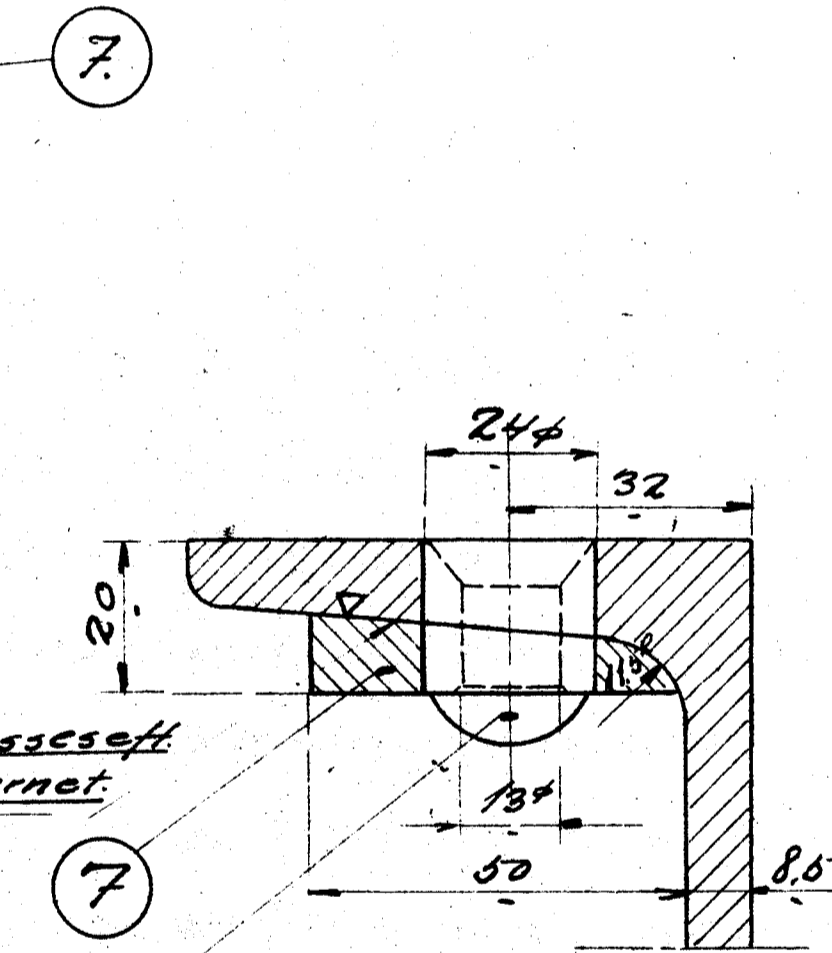
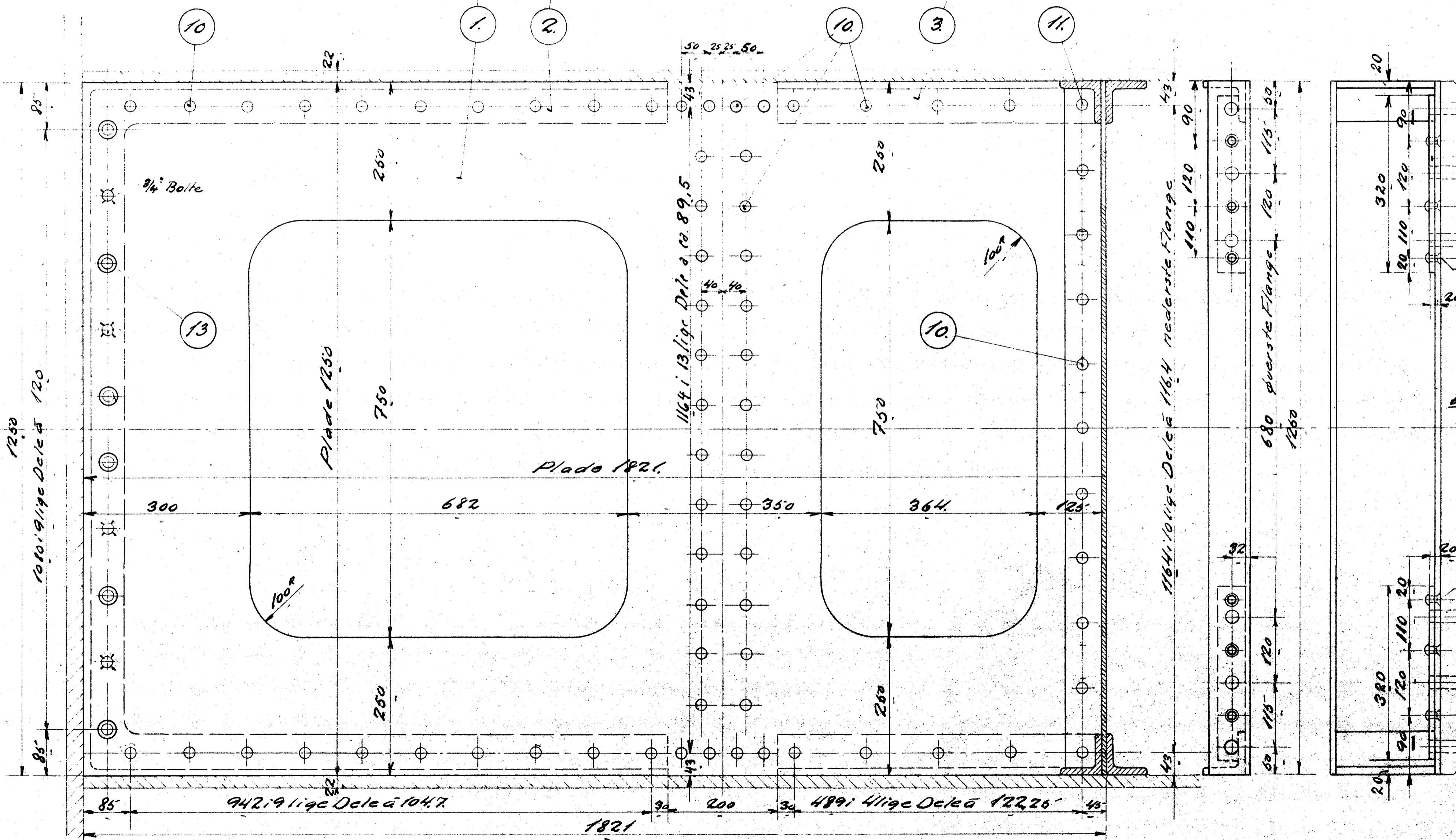
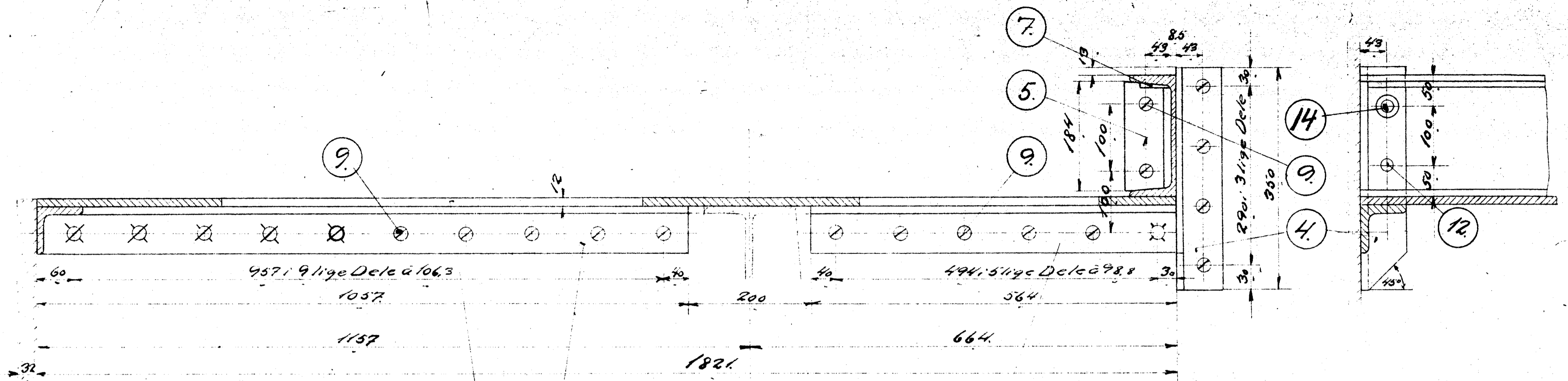


BYGGLISTE NO. 42216

DEFINITION

1	1 Plade	Flussjern 1830x1260x12
2	1 Vinkelramme	75x75x12x330
3	2 LigeVinkel	...x...x1130
4	2 do	...x...x720
5	2 do	...x...x390
6	1 UJern NP 20x1250	200x75x85x1260
7	2 Fladjern	50x50x660
8	8 Nagle 13x32	Nittejern Best.
9	34 do 23x68	
10	70 do 20x54	
11	2 do 20x66	
12	2 do 20x64	
13	6 do 20x44	
14	2 do 20x52	



Q. 68c

A/S FRICHS AARHUS

Tværafstigning v. Slinge-  
stykke. DTenderboks Litre A.

24.9.29

1:5

66-316